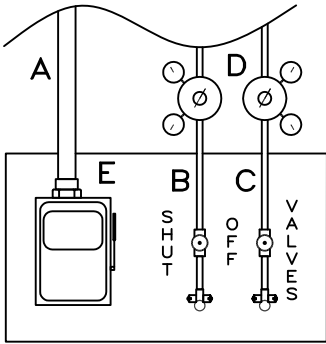


UTILITIES: PREPARED AS SHOWN BY CUSTOMER.

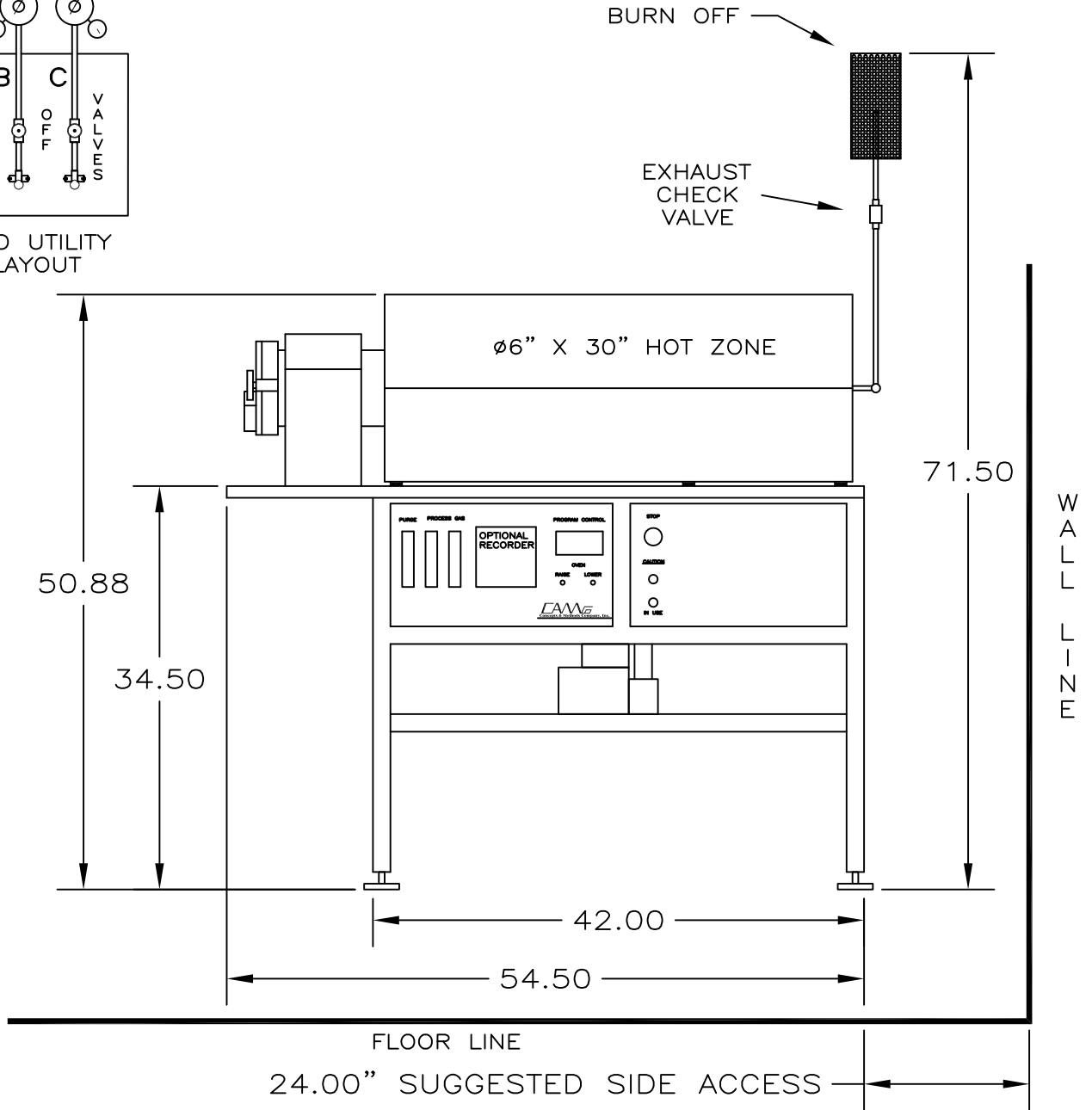
REV.	DATE	DESCRIPTION

- A: 240V SINGLE PHASE, 40A CIRCUIT BREAKER, 50/60Hz
- B: NITROGEN, 35 TO 50 PSIG AT A MAXIMUM FLOW OF 30 SCFH
- C: HYDROGEN 35 TO 50 PSIG AT A MAXIMUM FLOW OF 30 SCFH
- D: LINE PRESSURE REGULATORS SET AT 40 PSI.
- E: POWER DISCONNECT 240V-40A


1/4" TUBE
1/4" TUBE



SUGGESTED UTILITY PANEL LAYOUT



NOTICE: This document contains information which may be confidential and/or tradeseecret and/or proprietary to Concepts & Methods Co. Inc. and its' affiliates. This document is submitted to you in confidence and shall not be reproduced, disclosed to others, or used in manufacture without the express written permission of Concepts & Methods Co. Inc.

		TOL'S EXCPT AS NOTED	DRN.BY: T BARULICH	 Concepts & Methods Company, Inc.		
		fract. ±1/32	APP.BY:			
TF1100-6X30	381	.XX ±.010	DATE: 2-26-08	DWG.NO: 88747		
USED ON TASK	FWO	.XXX ±.005	MAT:	SHEET 3 OF 4		
		.XXXX ±.0005	FINISH:	REV:		
		ANGLES ±1/2'				